

LCC Modelling System

B 00-28M Canopy - middle section

This kit includes elements which can be used to assemble middle section of station canopy. Footprint:

Width: 68mm

Height: 75mm

Length: 80mm

All drawings are not in scale.

LCC Modelling System is flexible and you can make easy modification. Please visit our website at www.lcut.co.uk to shop for additional LCC elements.

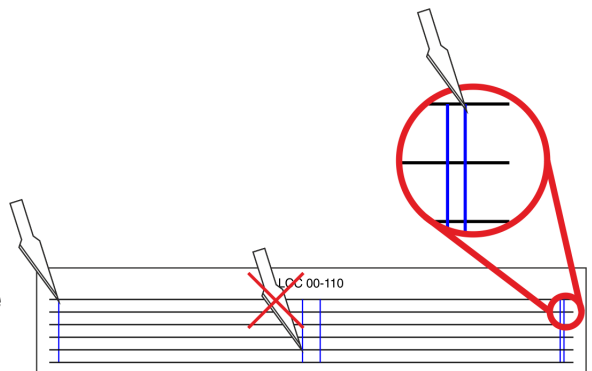
! We recommend resin based glue for plastic parts and PVA or wood glue for fibre board parts.

Kit contains:

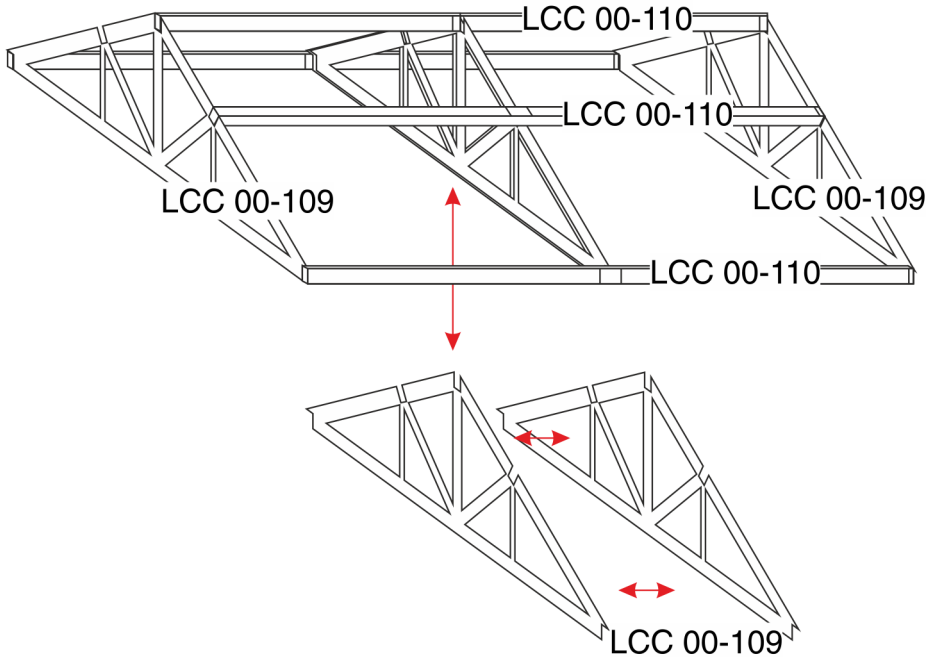
- 2x LCC 00-37A
- 1x LCC 00-108
- 4x LCC 00-109
- 1x LCC 00-110
- 1x LCC 00-112
- 1x LCC 00-113

PREPERATION

Start by cutting out support strips from LCC 00-110. Use marked lines as guides. On the side with two markings use the ones that will yield longer strips. Do not cut the strips in the middle as they are used to align the strips.



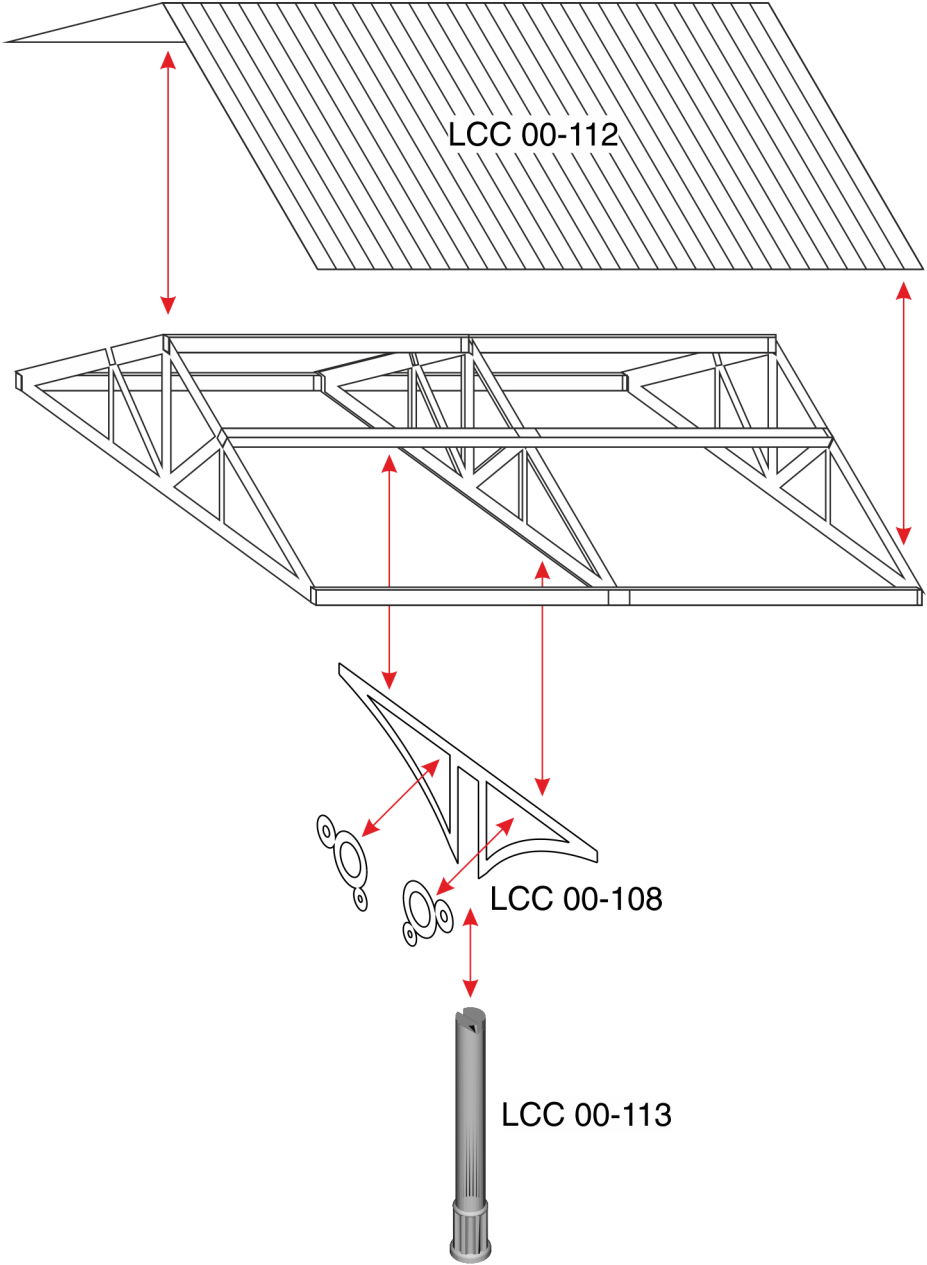
CANOPY STRUCTURE

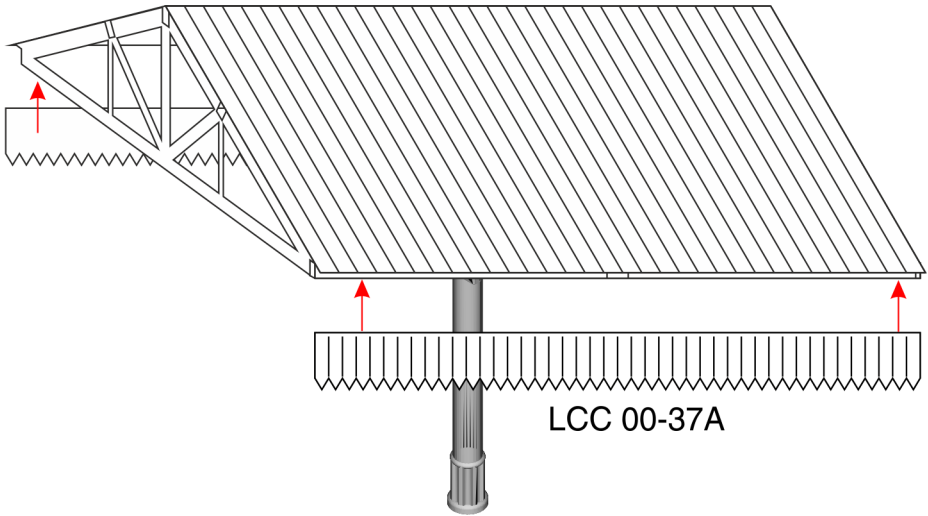


Start by gluing two LCC 00-109 together. Using LCC 00-110 strips glue LCC 00-109 together to form the internal structure of the canopy. Use the markings in the middle of LCC 00-110 to align the doubled up LCC 00-109.

Glue the ironworks into LCC 00-108 (optional). Glue LCC 00-108 to the middle truss.

Fold the LCC 00-112 along the engraved line and glue to the top of the canopy structure.





Slot at the top of LCC 00-113 may need to be sanded to width of at least 1.4mm. Gently push the column into the slot in the middle of LCC 00-108. Due to how we print them there is a little bit of flashing on the bottom edge of the column. File it away with a fine file or sand paper until the flashing is invisible. The columns are made with photosensitive resin which cannot be exposed to high temperatures or too much UV light. They are reasonably flexible and should not crack easily (do not bend them however). If there are any cracks, voids, or warping/bend in the columns this is a manufacturing fault. We inspect them before packing but there is a possibility a defective column was missed. Please get in touch with us for a replacement if you find a defective column.

Last step is to glue the valence (LCC 00-37A) to the sides of the canopy section.

Canopy elements can be joined together to create longer canopy.

In addition canopy sections can be shortened by trimming LCC 00-110 and LCC 00-112 to desired length and assembling the canopy as normal. The canopy can be used with just the middle sections but ending sections for the canopy are available.